



ALC230A

Room temperature and CO₂ controller

Controller with a 0...10V output signal for control of e.g. an EC fan or damper.

- ✓ Combined CO₂ and temperature control
- ✓ Settable for control either of heating or cooling
- ✓ Adjustable setpoint, P-band and I-time
- ✓ Discreet, stylish design suitable for all indoor environments

Combined sensor and controller

ALC230A is a stand-alone unit containing a controller, a temperature sensor and a CO₂ sensor. This enables you to save on component costs, resulting in a cheaper, easier installation.

Simple and easy VAV controller

ALC230A is perfectly suited for demand controlled ventilation and contributes to a healthy room climate and reduced energy costs. The unit has a reversible output signal that permits control of either heating or cooling. The control mode is changed simply by moving a jumper. The temperature setpoint is easily changed using the wheel on the right side of the casing. The rotary switch for the CO₂ setpoint is located inside the casing.

Straightforward mounting

The unit is intended for mounting on a standard device box and powered by 230 V. No transformer is required.

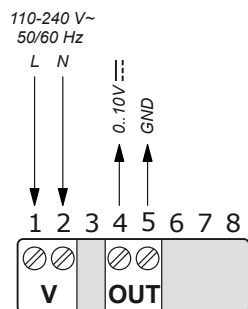
Technical data

Supply voltage	110...240 V AC, 50/60 Hz
Power consumption	Max. 1.25 W
Ambient temperature	0...50°C
Ambient humidity	10...90 % RH (non-condensing)
Working range, CO₂	0...2000 ppm
Protection class	IP30
Outputs	1 analogue output 0...10 V (RL > 10 K)
Dimensions (WxHxD)	88 x 100 x 30.5 mm
Mounting	Wall
Colour	Signal white RAL 9003

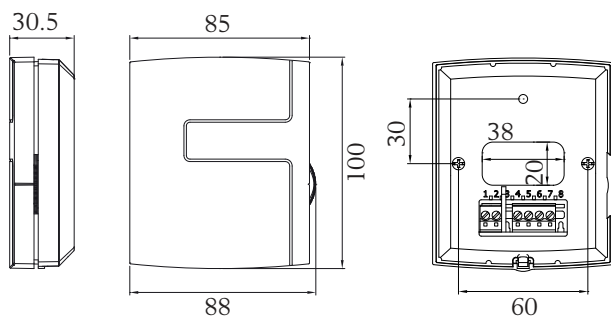
CE

This product carries the CE-mark. More information is available at www.regincontrols.com.

Wiring



Dimensions



Product documentation

The product documentation can be downloaded from www.regincontrols.com.