



RDAB10-230...

Damper actuator, 10 Nm

Damper actuator for control of dampers in ventilation systems.

- Torque 10 Nm
- For dampers up to approximately 2 m²
- Power supply 100...240 V AC
- On/off or 3-point control signal
- Built-in auxiliary switch RDAB10-230S

RDAB10-230 and RDAB10-230S are damper actuators for control of dampers in ventilation systems.

Simple direct mounting

The damper actuator is easily mounted on the damper spindle with the universal spindle clamp. The actuator is supplied with an anti-rotation strap that prevents it from rotating.

Function

Manual operation is possible with the self-resetting pushbutton (the gearing latch remains disengaged as long as the pushbutton is pressed).

The angle of rotation is adjustable with mechanical end stops.

Flexible signalisation

RDAB10-230S has a built-in adjustable 0...100% auxiliary switch.

High functional reliability

The actuator is overload-proof, requires no limit switches and stops automatically when the end stop is reached.

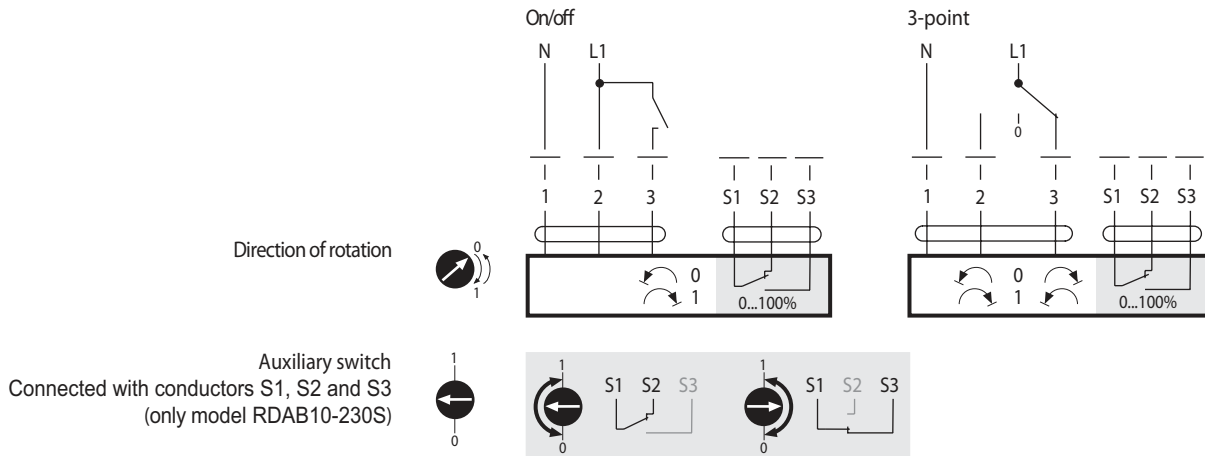
Models

| | |
|-------------|--------------------------------------|
| RDAB10-230 | Basic model |
| RDAB10-230S | Model with built-in auxiliary switch |

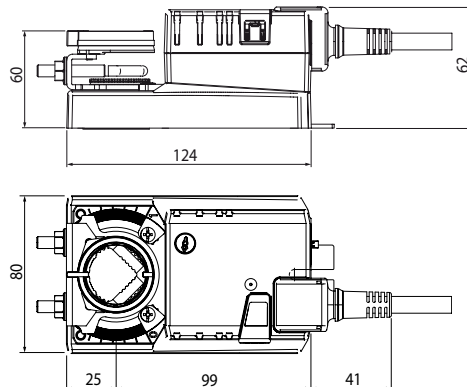
Technical data

| | |
|----------------------------------|--|
| Supply voltage | 100...240 V AC 50/60 Hz |
| Power consumption | |
| In operation (at nominal torque) | 2.5 W |
| At rest | 0.6 W |
| For wire sizing | 6 VA |
| Control signal | On/off or 3-point |
| Direction of rotation | Selectable with switch |
| Torque | Min. 10 Nm at nominal voltage |
| Angle of rotation | Max. 95°, adjustable 0...100% with mechanical end stops |
| Running time actuator | 150 s |
| Sound power level | Max. 35 dB (A) |
| Position indication | Mechanical |
| Protection class | IP54 |
| Ambient temperature | -30...+50°C |
| Storage temperature | -40...+80°C |
| Cable | 1 m, 3 x 0.75 mm ² |
| Auxiliary switch (RDAB10-230S) | 1 mA ... 3 (0.5) A, 250 V AC |
| Weight | Appr. 850 g |
| CE | The product conforms with the requirements of European EMC and LVD standards 89/336/EEC and 73/23/EEC and carries the CE-mark. |

Wiring



Dimensions



| Damper spindle | Length | ⊙ I ⬠ |
|-----------------|---------|------------|
| Clamp on top | min. 40 | 8 ... 26.7 |
| Clamp on bottom | min. 20 | 8 ... 20 |

Measurements in mm

Head Office Sweden

Phone: +46 31 720 02 00
Web: www.regin.se
Mail: info@regin.se

Sales Offices

France: +33 1 41 71 00 34 Hong Kong: +852 24 07 02 81
Germany: +49 30 77 99 40 Singapore: +65 67 47 82 33
Spain: +34 91 473 27 65

REGIN
THE CHALLENGER